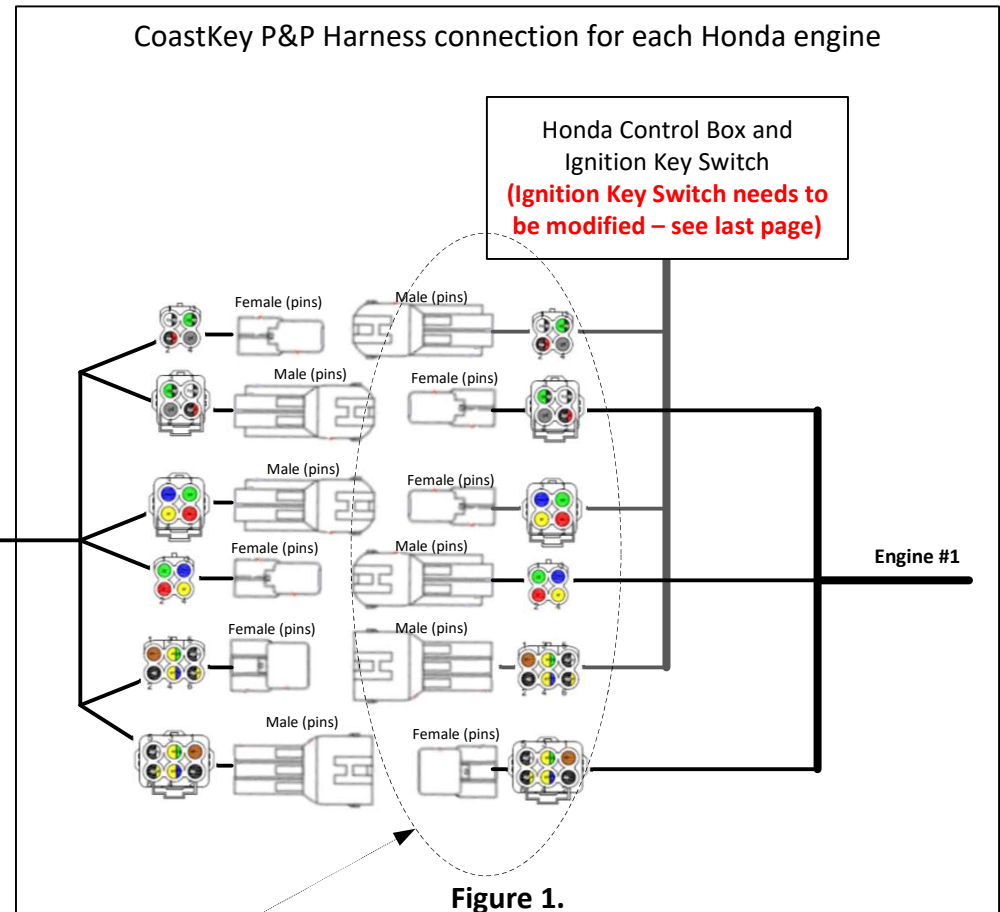
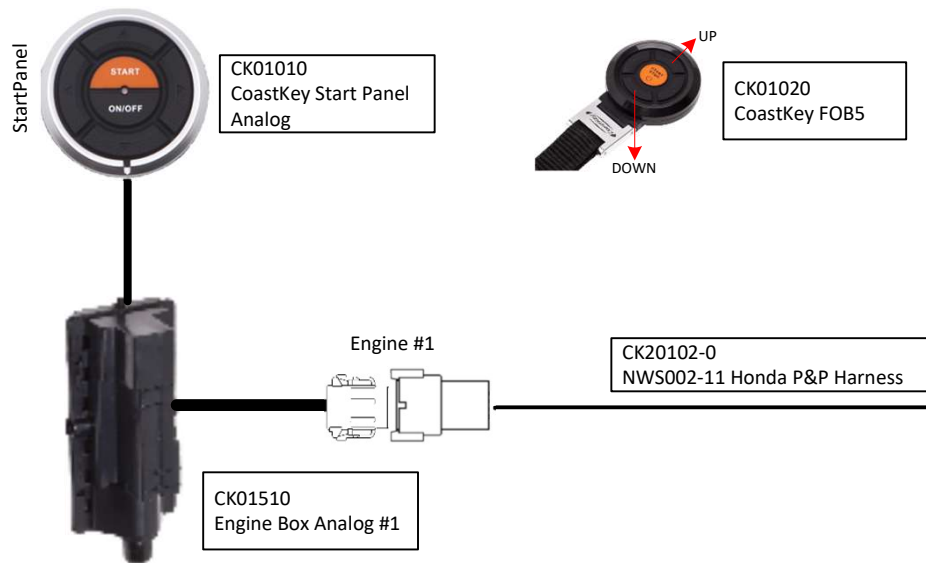


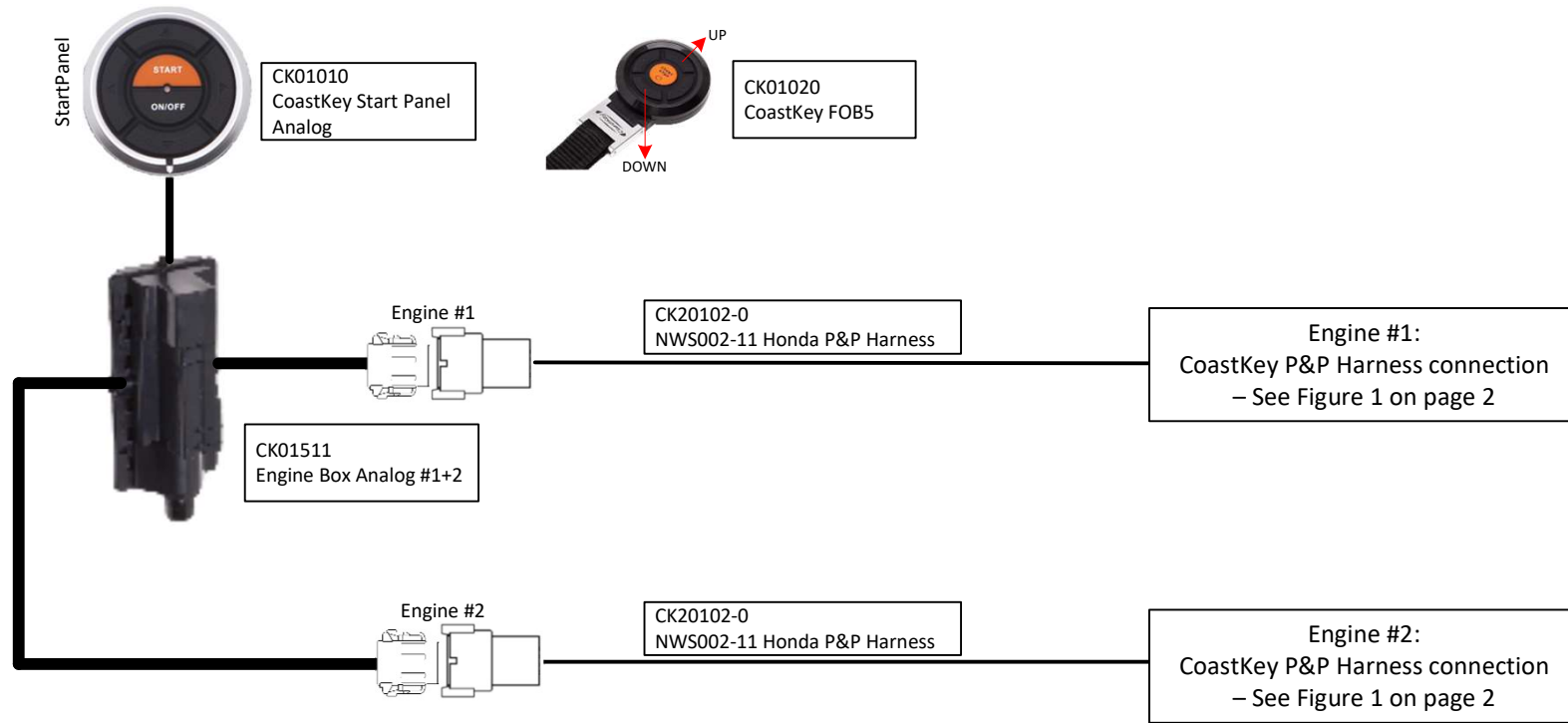
HEADING	
Title:	CoastKey Honda Installation
Doc. Nr:	NWS021-32
Author:	Pål Sørensen
Issue date:	16-04-2020

HISTORY				
Issue number	Date	Version	Owner	Approved by
1	16-04-2020	A	Pål Sørensen	
2				
3				

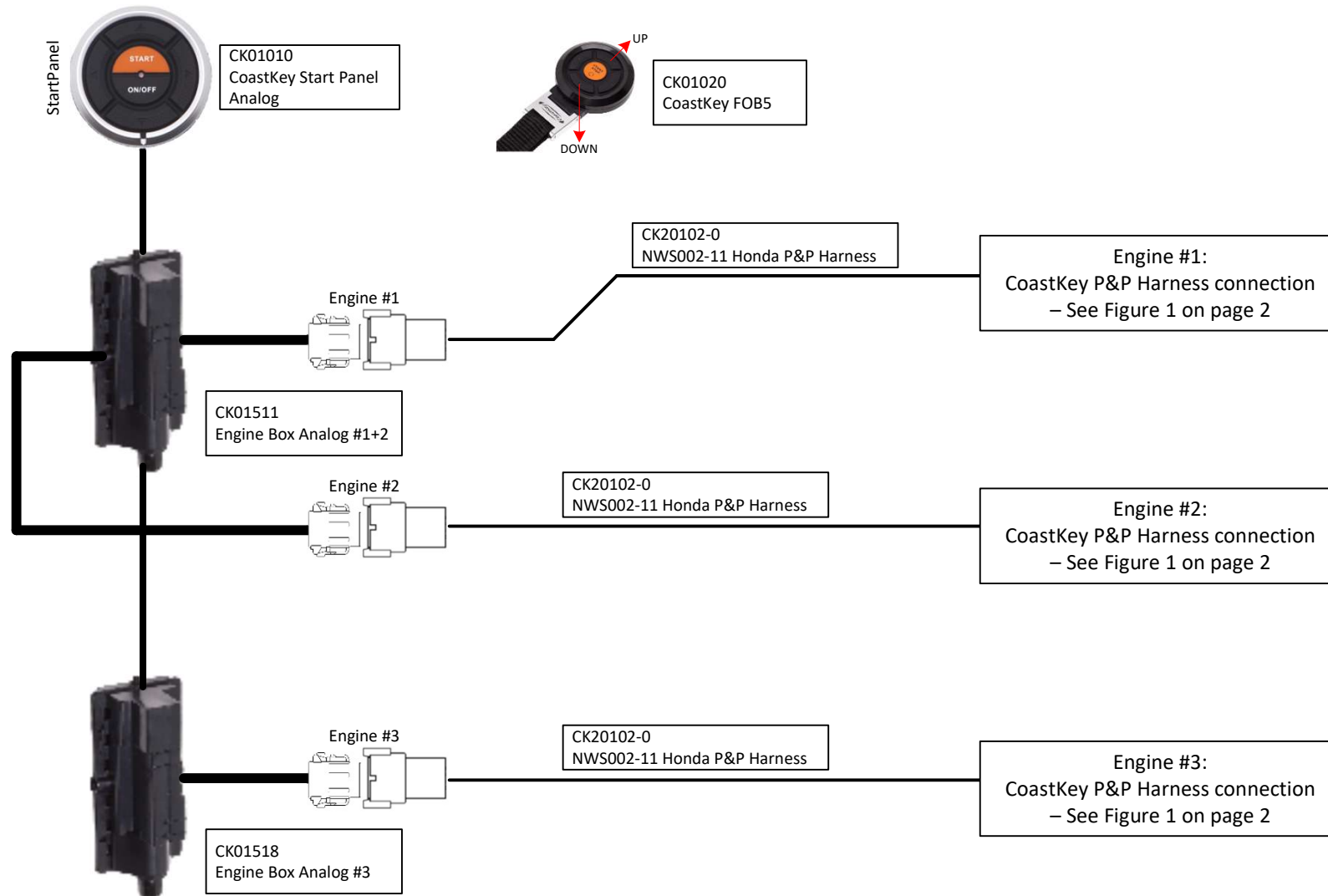


Disconnect the Ignition Switch and Control Box cable connectors from the Honda engine cable connectors. Insert the CoastKey harness as shown.

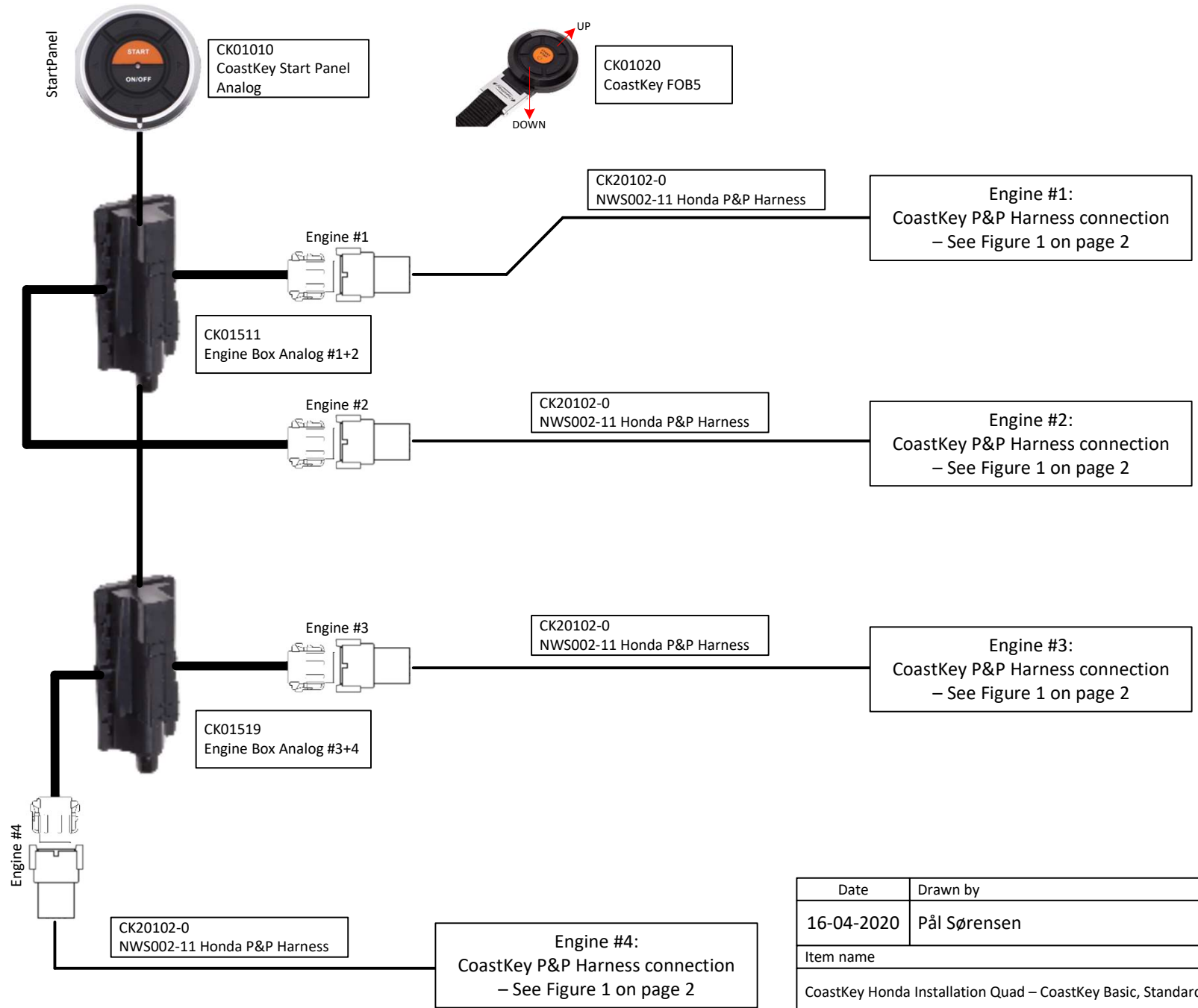
Date	Drawn by	Scale
16-04-2020	Pål Sørensen	-
Item name		
CoastKey Honda Installation Single – CoastKey Basic, Standard and Premium Systems		
Item number		Rev.
NWS021-32		A



Date	Drawn by	Scale
16-04-2020	Pål Sørensen	-
Item name		
CoastKey Honda Installation Twin – CoastKey Basic, Standard and Premium		
Item number		Rev.
NWS021-32		A

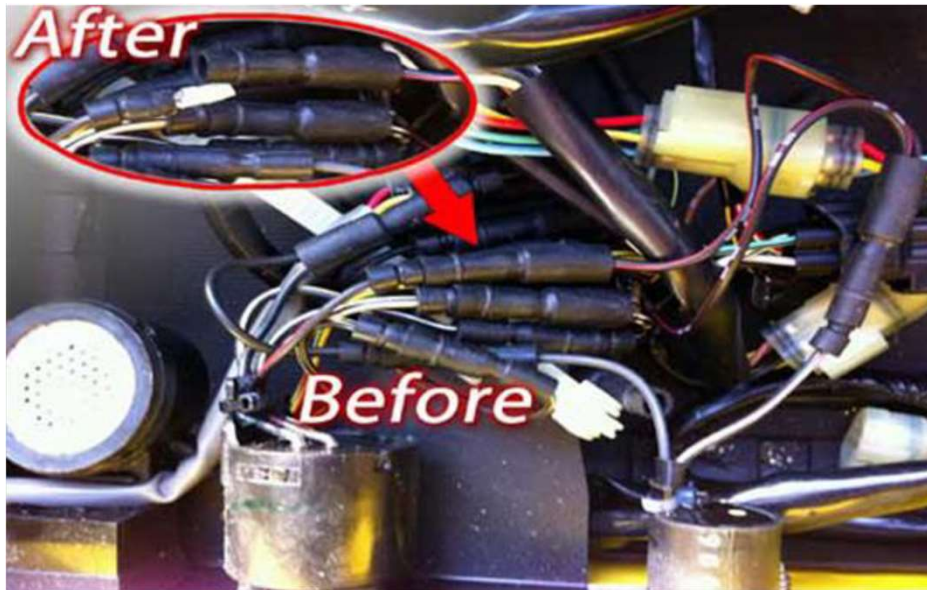


Date	Drawn by	Scale
16-04-2020	Pål Sørensen	-
Item name		
CoastKey Honda Installation Triple – CoastKey Basic, Standard and Premium Systems		
Item number		Rev.
NWS021-32		A



Date	Drawn by	Scale
16-04-2020	Pål Sørensen	-
Item name		
CoastKey Honda Installation Quad – CoastKey Basic, Standard and Premium Systems		
Item number		Rev.
NWS021-32		A

## Modification of the Ignition Key Switch



**Modify the Key Switch according to the description below:**

Disconnect the bullet connector on the black wire with red stripe (the connector that is closest to the ignition switch).

NOTE! A side mounted remote control will have to be opened to access the integral ignition switch.

Check that the manual lanyard switch is working normally after this modification is performed. Isolate the disconnected male bullet connector with electrical tape!

Date	Drawn by	Scale
16-04-2020	Pål Sørensen	-
Item name		
CoastKey Honda Ignition Switch modification – CoastKey Basic, Standard and Premium Systems		
Item number		Rev.
NWS021-32		A